

**COMPRESSOR CM**

**CM 10 - 40 BAR**

Delivery 40 BAR - 580 PSI  
l/min 110 - 635 / m<sup>3</sup>h 6,6 - 38,1

Pressure  
BAR 10 - 40 / PSI 145 - 580



Quality system certified  
to iso 9001

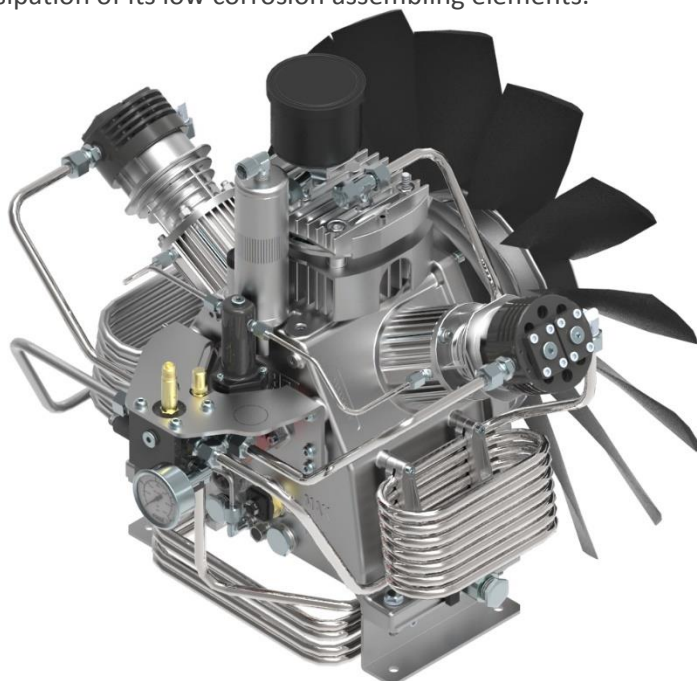
All technical data may be changed  
MADE IN ITALY BY NARDI COMPRESSORI  
[www.nardicompressori.com](http://www.nardicompressori.com)

## COMPRESSOR CM

INDUSTRY is a product line that includes several products made by NARDI COMPRESSORI which are designed to operate at very high efficiency and at the same time are made with strong materials that ensure many hours of operation,

### QUALITY OF COMPRESSOR BLOCK

The compressor block or pump unit is the heart of the machine, it is a critical component in which NARDI has put particular attention. It has features that make it unique in the world. Among these, the use of light alloys with high thermal efficiency, such as aluminum alloys that are also used for the construction of the cylinders. The pump unit does not undergo any paint coating to enhance the heat dissipation of its low corrosion assembling elements.



The bearings of the crankshaft have rollers, extremely robust and made in Europe which guarantee a long life of the compressor. An oil pump provides a constant lubrication of the inner workings of the block with oil cleaned of impurities by a filter and by a magnet which catches any metals present in the lubricating oil.

The compressed air cooling is obtained by inter-stage stainless steel cooling coils.

### EFFICIENCY OF THE FRAME

The sound insulated frame or cabinet is constructed with panels that are designed to work in harsh conditions and to withstand harsh environments. In fact if water were to enter from the top ventilation grill it would be conveyed and ejected by a canal and two side holes preventing the pumping unit from getting wet. In addition to this the sound absorbing internal lining of the panels make the cabinet very quiet. The large wing-shaped fan blades guarantee not only a very low sound pressure but also a highly efficient ventilation.

### CONTROL AND ELECTRONICS

For proper operation of the compressor, NARDI has designed a new electronic control panel. This new system, controls all the key points as temperature, oil level, current consumption, inlet pressure, outlet pressure and manages all the valves and solenoid valves. In addition to this, the electronic control panel handles the service schedule and monitors the status of the filtering system.

### ECONOMY

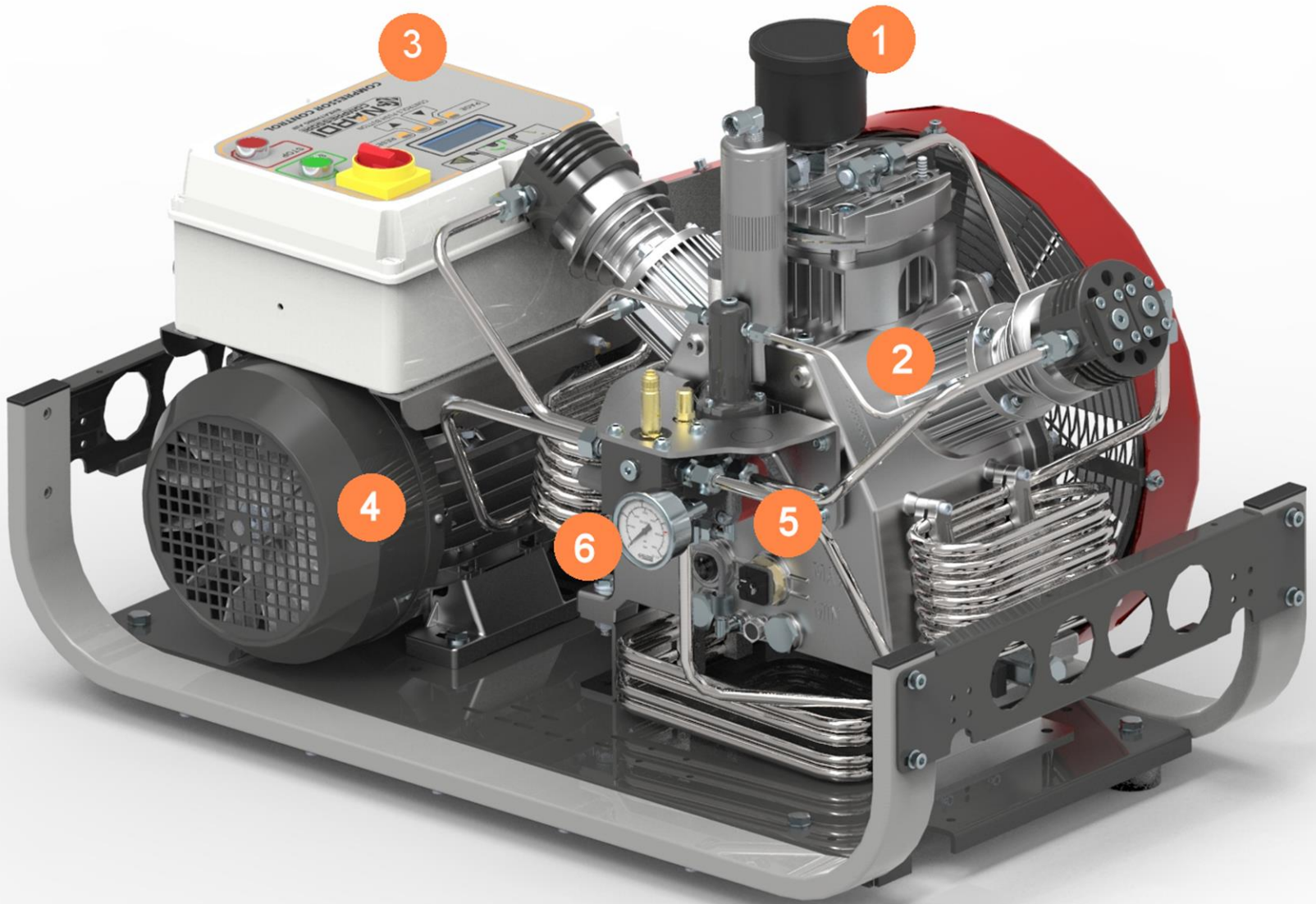
Everything in the compressor is designed to optimize both the operating costs as well labor costs. Service of the compressor in addition of being rather inexpensive is scheduled at long time intervals.

All technical data may be changed

MADE IN ITALY BY NARDI COMPRESSORI

[www.nardicompressori.com](http://www.nardicompressori.com)

- 1 Intake Valve
- 2 Compressor Block
- 3 Electronic Control
- 4 Electric motor

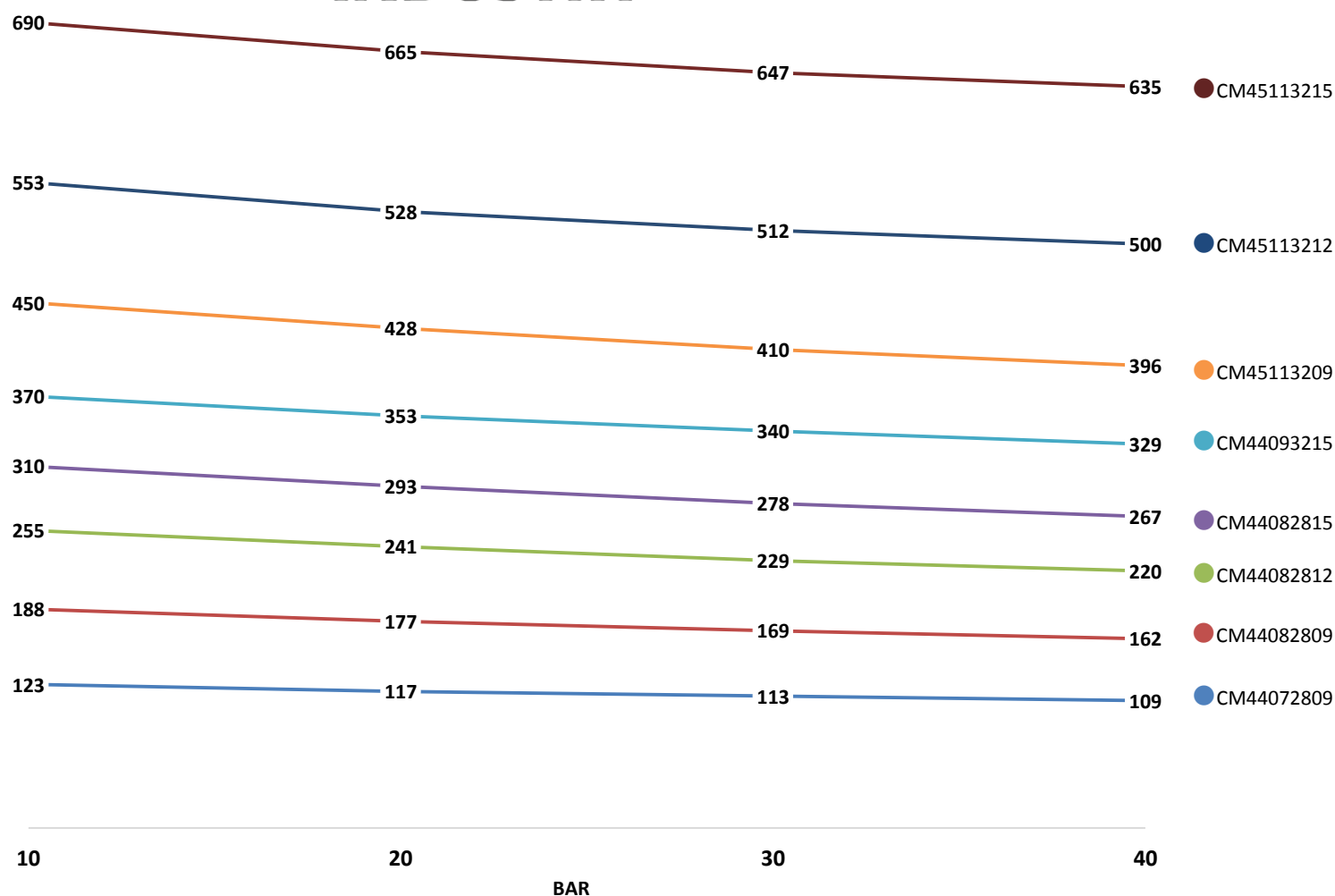


- 5 Oil pump lubrication
- 6 Compressed gas Outlet

All technical data may be changed

MADE IN ITALY BY NARDI COMPRESSORI

[www.nardicompressori.com](http://www.nardicompressori.com)



Model Booster	DISPLACEMENT			F.A.D. 20 BAR - 290 PSI			F.A.D. 40 BAR - 580 PSI			Power
Modello Booster	Volume di aspirazione			Aria resa 20 BAR - 290 PSI			Aria resa 40 BAR - 580 PSI			Motore
Type	l/min.	m <sup>3</sup> /h	cfm	l/min.	m <sup>3</sup> /h	cfm	l/min.	m <sup>3</sup> /h	cfm	kW
CM44072809	150	9	5,3	117	7,0	4,1	109	6,8	4	2,2
CM44082809	240	14,4	8,5	177	10,6	6,2	162	10,1	6	2,5
CM44082812	310	18,6	10,9	241	14,4	8,5	220	13,7	8,1	2,8
CM44082815	385	23,1	13,6	293	17,6	10,3	267	16,7	9,8	3,0
CM44093215	450	27	15,9	353	21,2	12,4	329	20,4	12,0	5,0
CM45113209	520	31,2	18,4	428	25,7	15,1	396	24,6	14,5	7,0
CM45113212	665	39,9	23,5	528	31,7	18,6	500	30,7	18,1	8,0
CM45113215	830	49,8	29,3	665	39,9	23,5	635	38,8	22,8	9,0

### NARDI COMPRESSORI SRL

Via Marco Polo, 2  
36075 Montecchio Maggiore (VI) ITALY

Phone +39 0444 159111  
Fax +39 0444 159122

SUBJECT TO TECHNICAL MODIFICATIONS

info@nardicompressori.com

www.nardicompressori.com